

LanteBloc

LanteBloc is made from high grade ceramic fiber to provide the best thermal insulation. Precut modules greatly reduce installation time

It is the best companion to Lantec's line of heat recovery media.

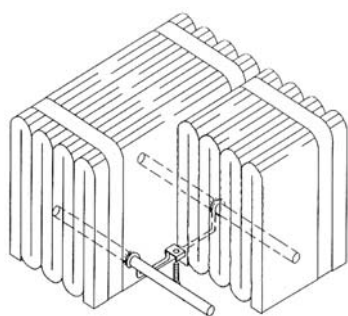
Characteristics:

- Low cost
- Low density and low thermal conductivity
- Simple installation using concealed anchor
- Easy to cut
- Asbestos free



LanteBloc 1260

Temperature Grade	1260°C (2300 °F)	
Available Sizes:	300 mm x 300 mm x 150 mm 300 mm x 300 mm x 200 mm	
Linear Shrinkage (1100°C x 24 hrs)	1 %	
Loss on Ignition	1 %	
Chemical Composition:		
Al ₂ O ₃	47.1 %	
Al ₂ O ₃ + SiO ₂	99.4 %	
Bulk Density	8 lb/ft ³ (128 kg/m ³)	10 lb/ft ³ (160 kg/m ³)
Thermal Conductivity kcal/ m h °C (W/mK)		
mean 400°C	0.09 (0.10)	0.08 (0.09)
mean 600°C	0.13 (0.15)	0.12 (0.14)
mean 800°C	0.19 (0.22)	0.17 (0.20)



Also Available:
 LanteBloc 1260 (in 8, 10, 11, 12 lb/ft³)
 LanteBloc 1425 (in 8, 10, 11, 12 lb/ft³)